



# XL FLAT DECK EXTENDABLE



## FEATURES

- Available in 48-foot or 53-foot overall length
- Sliding tandem axles
- Stake pockets on 24" centers
- 5/16" x 2" rub rail with double pipe spools
- 6-inch structural side rails
- Plug and play rubber mounted LED lights
- 4 stake pockets across front channel for headboard



## PROVEN EXTENDABLE TECHNOLOGY

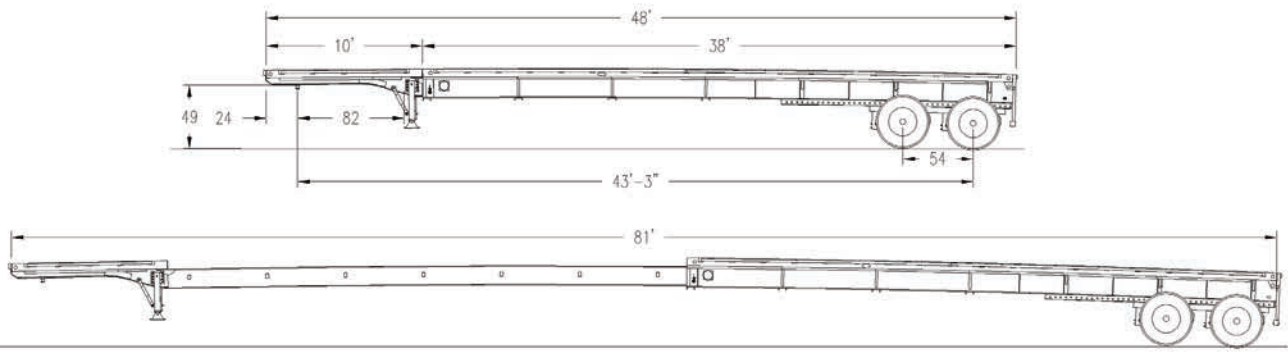
The XL FDE uses XL's patented Extend-a-trac to extend and retract the deck without hooking and unhooking air and electrical lines. The air operated lock pins have extension stops every 60 inches. Four 6-inch greasable rollers make extending and retracting the trailer smooth.

## VERSATILE AXLE OPTIONS

Haul a variety of loads with the XL 80 FDE; sliding tandem axles adjust using a simple lock pin to work best with each load's specific weight distribution. The FDE is available with four axle-spread options: 49-inch (with spring suspension only), 54-inch, 60-inch or 10-foot 1-inch. The 48-foot long rear deck features a 58-inch loaded deck height.

DESIGNED FOR YOU. BUILT TO LAST.

[www.xlspecializedtrailer.com](http://www.xlspecializedtrailer.com) | 877.283.4852



# XL FLAT DECK EXTENSIBLE SPECS

## CAPACITY

capacity: 80,000 lb overall  
concentrated: 60,000 lb in 10'

## OVERALL LENGTH & WIDTH

overall length: 48'-81'  
overall width: 102"

## FRONT DECK

10' long  
49" 5th wheel height  
2 speed landing gear with handle curbside  
24" king pin setting  
82" swing clearance  
4 stake pockets across front  
channel for headboard  
5/16" x 2" rub rail with double pipe spools  
steel winch track on driverside  
12 steel winches  
1 1/8" Apitong decking - flush  
1 pair flag holders  
registration holder

## REAR DECK

38' long  
T-1 flange, 80K web  
extend-a-trac  
air operated lock pins with extension  
stops on 60" centers  
(4) 6" greasable rollers  
58" loaded deck height  
sliding tandem  
stake pockets on 24" centers  
5/16" x 2" rub rail with double pipe spools  
6" structural side rails  
4" jr. i-beam cross members on 12" centers  
1 1/8" Apitong decking - flush  
stake pockets in tail channel for wide load sign

dock bumpers  
1 pair flag holders

## REAR DECK OPTIONS

spare tire carrier  
1 3/8" Apitong decking - raised  
additional 2" side clearance lights  
4" amber strobe tail light  
(1) 4-way plug  
48" head board (non-wrap around)  
side load sign

## SUSPENSION

25,000 lb air ride

## SUSPENSION OPTIONS

liquid filled air gauge  
spring suspension  
manual ride height control  
Air-weigh digital scale

## AXLES

(2) 25,000 lb nominal  
hub pilot, outboard drums  
4S2M spring brakes on 2 axle  
limit straps  
16 1/2" x 7" brakes  
77 1/2" tracking

## AXLE OPTIONS

54" axle spacing  
60" axle spacing  
10' 1" axle spacing  
49" axle spacing (spring suspension only)  
PSI tire inflation system  
hubometer  
cam covers and dust shields

## WHEELS & TIRES

8.25 x 22.5 steel rims  
11R / 22.5 tires

## WHEEL & TIRE OPTIONS

aluminum mill wheels (inside)  
aluminum mill wheels (outside)  
aluminum polished wheels (outside)  
aluminum Durabright wheels (outside)

## LIGHTING

12V sealed Grote harness  
rubber mounted LED lights  
2 tail light package with aluminum cover  
3 clearance lights per side  
1 mid-turn light per side  
7 pole electric socket

## PAINT

black, IH red, CAT yellow  
air & electric done after paint

## PAINT OPTIONS

non-standard paint colors  
non-standard metallic paint

## WARRANTY

5 year structural  
1 year paint

## AVAILABLE MODELS

XL 80 FDE  
other custom capacities also available,  
ask your sales representative for details  
standard features vary with custom units

DESIGNED FOR YOU. BUILT TO LAST.

www.xlspecializedtrailer.com | 877.283.4852